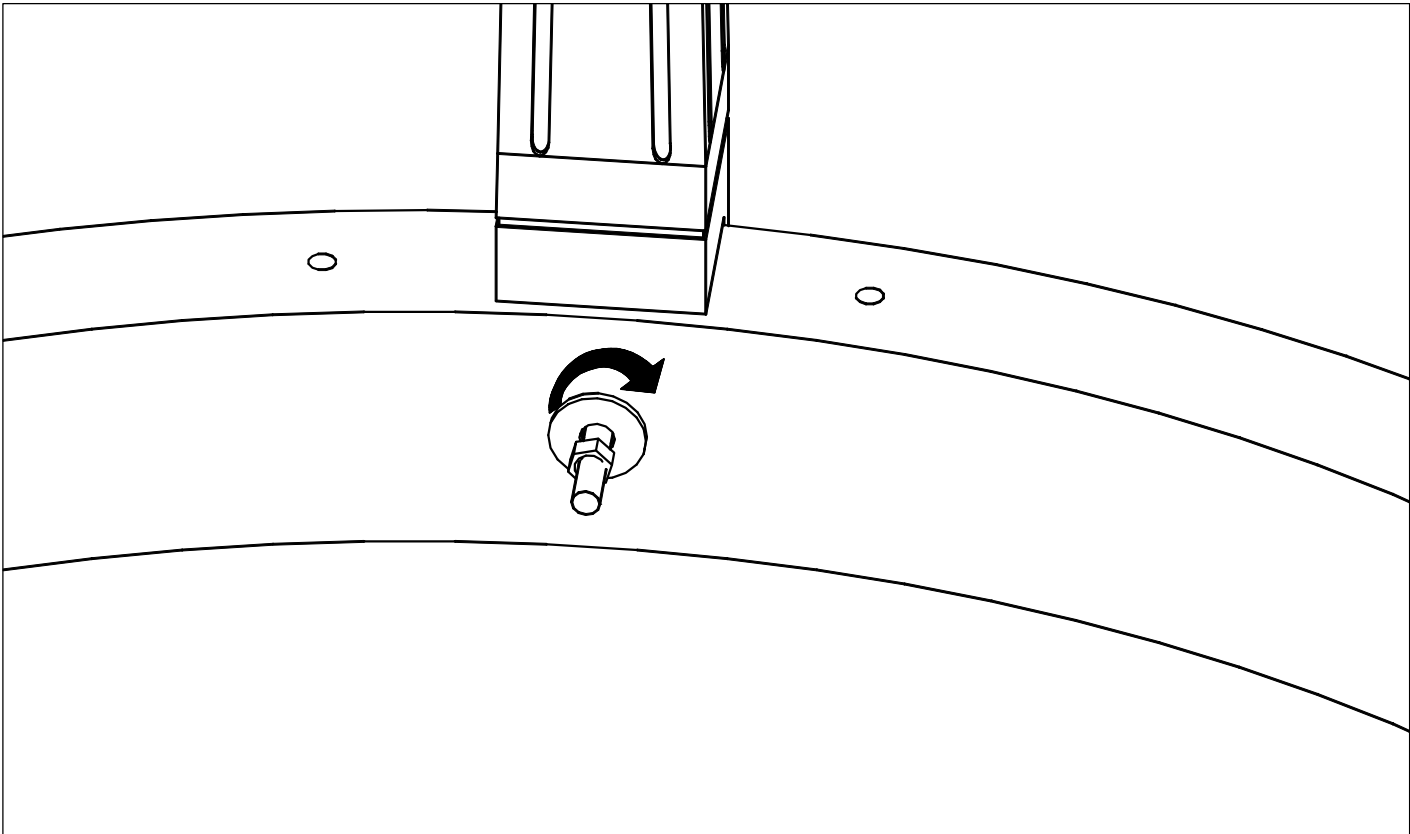
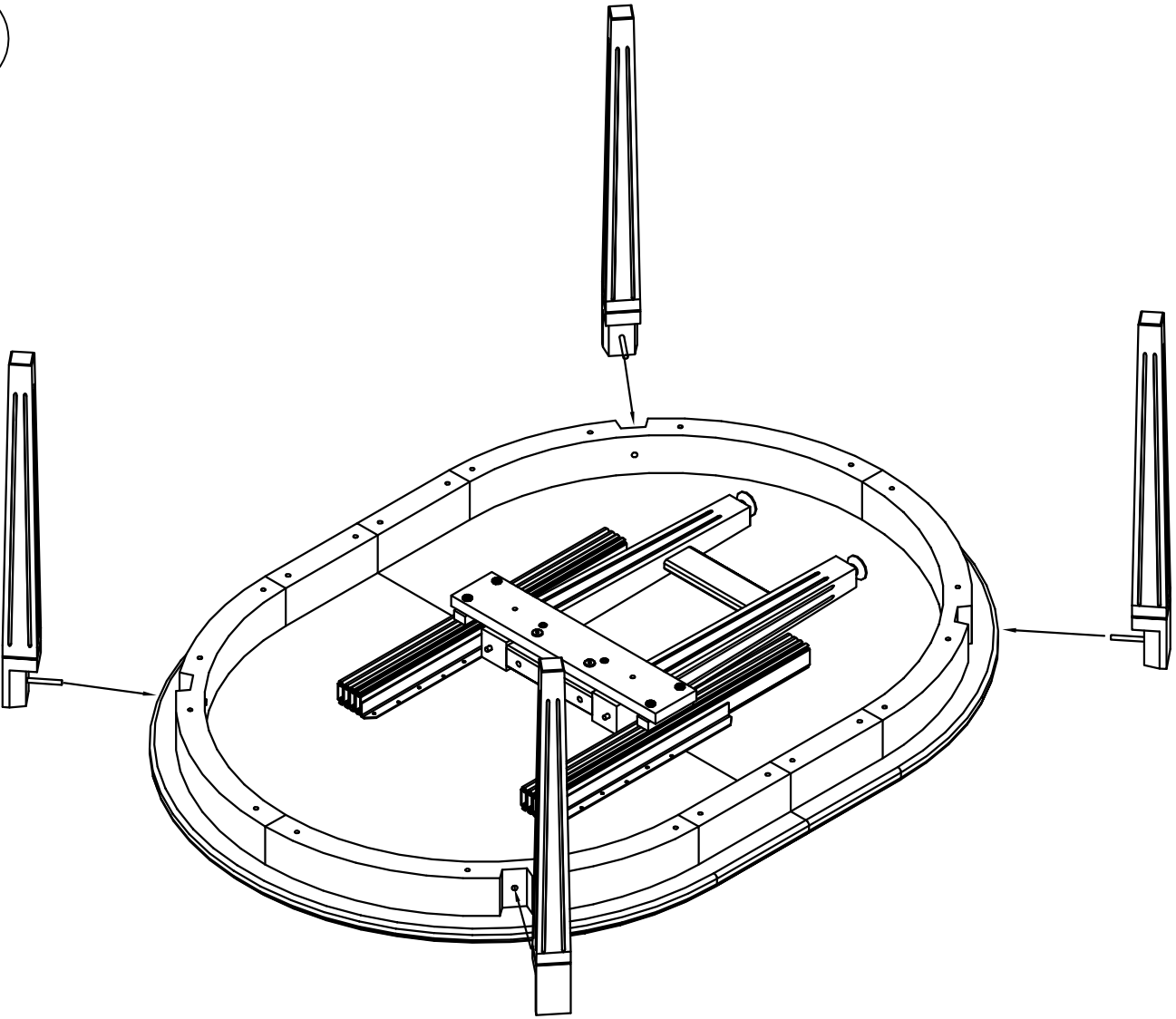
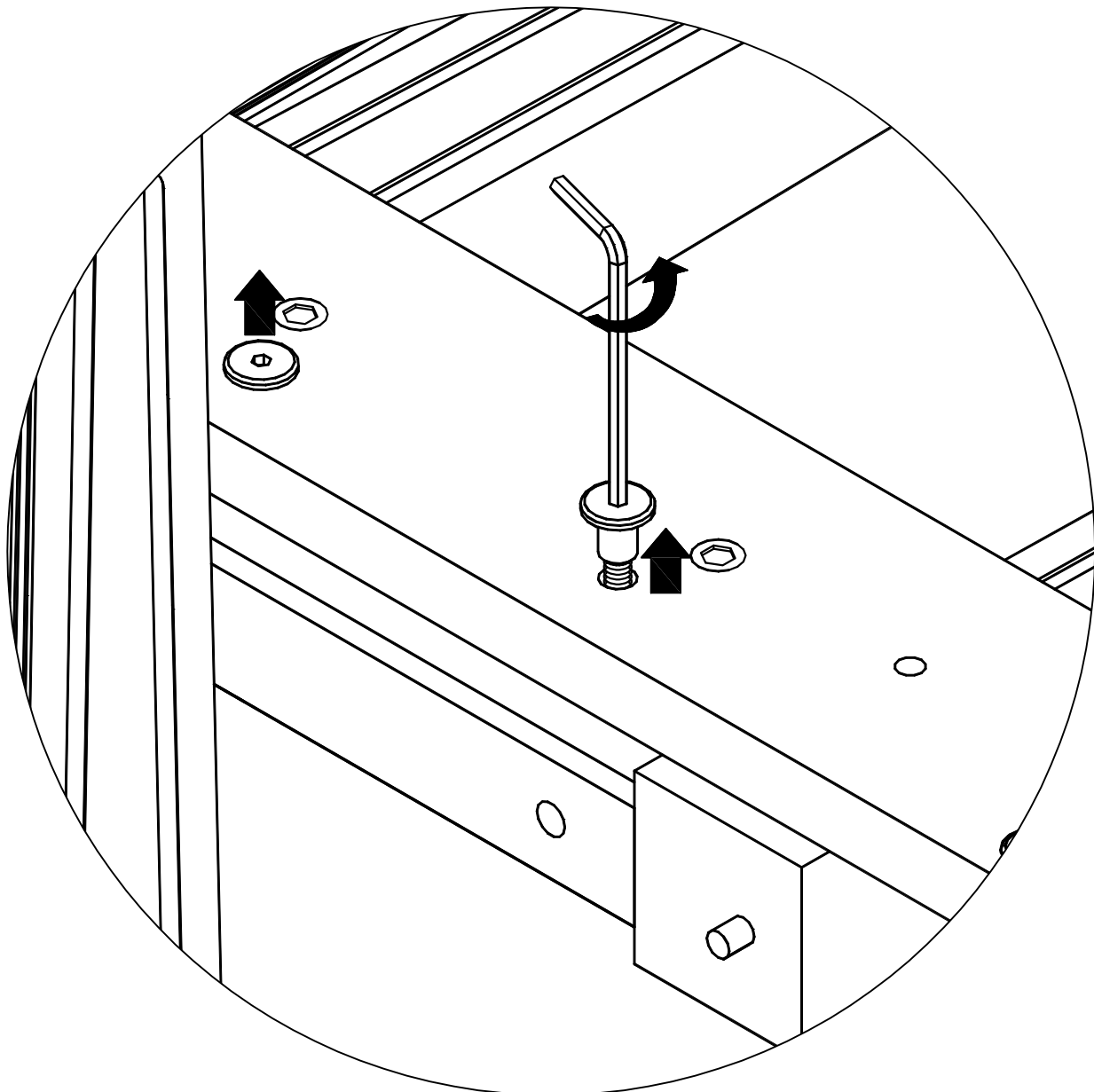
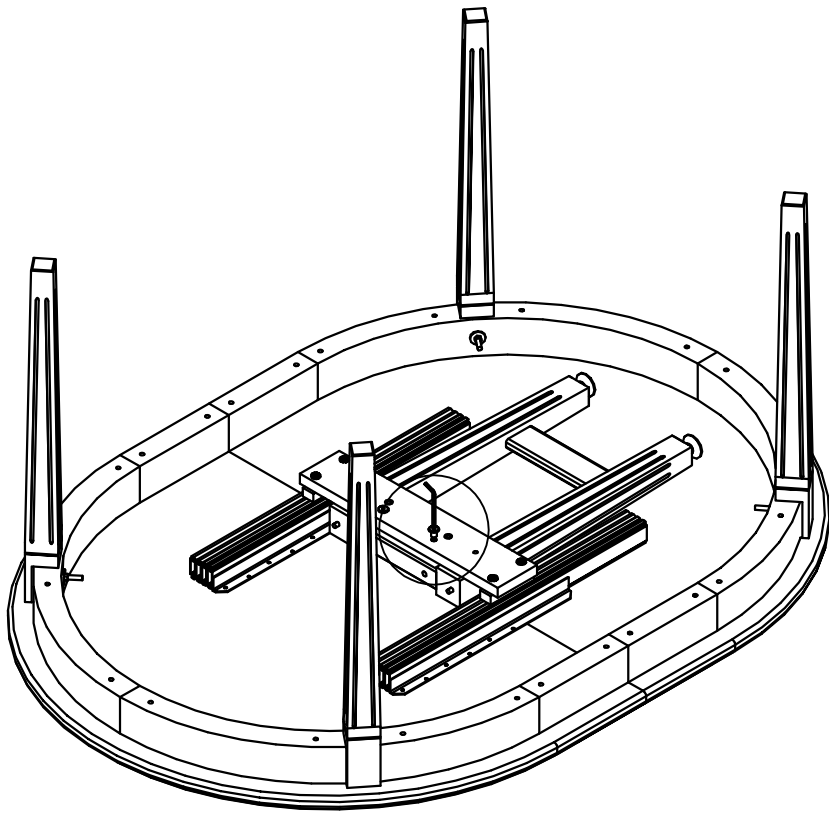
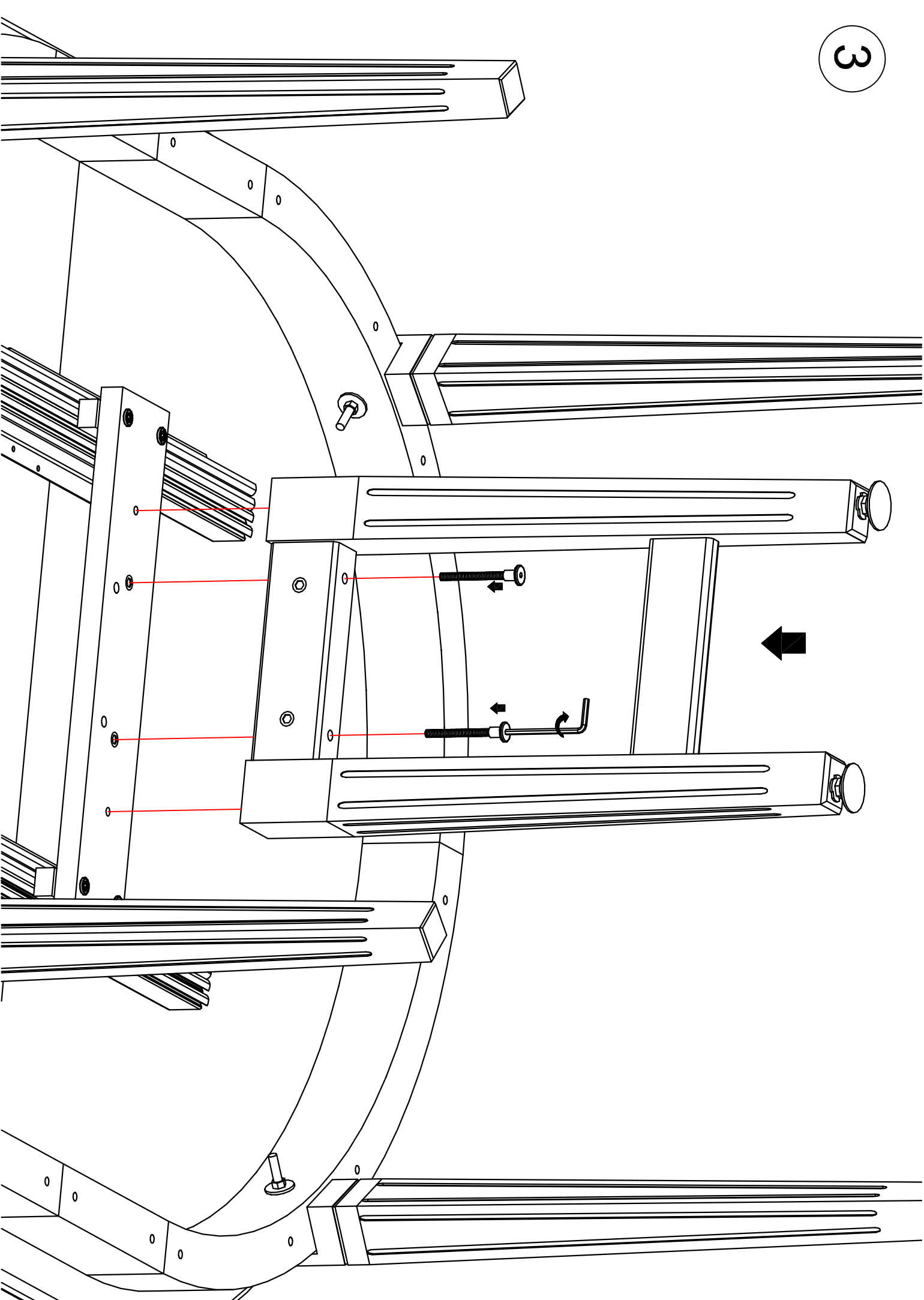


1

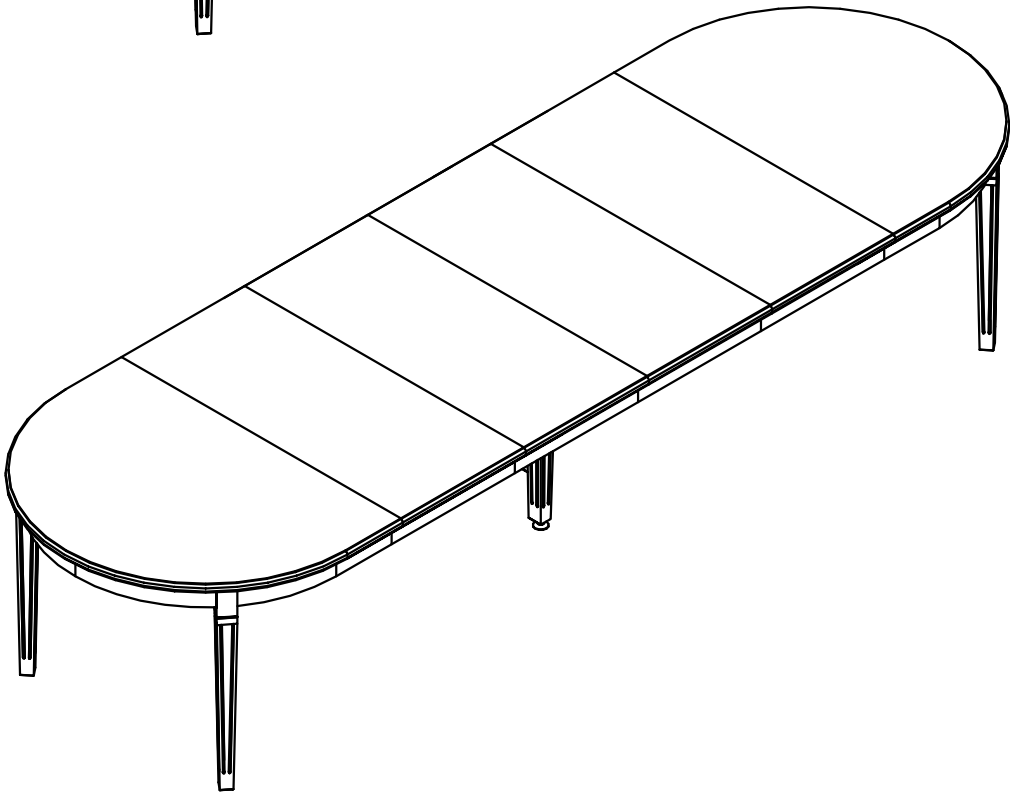
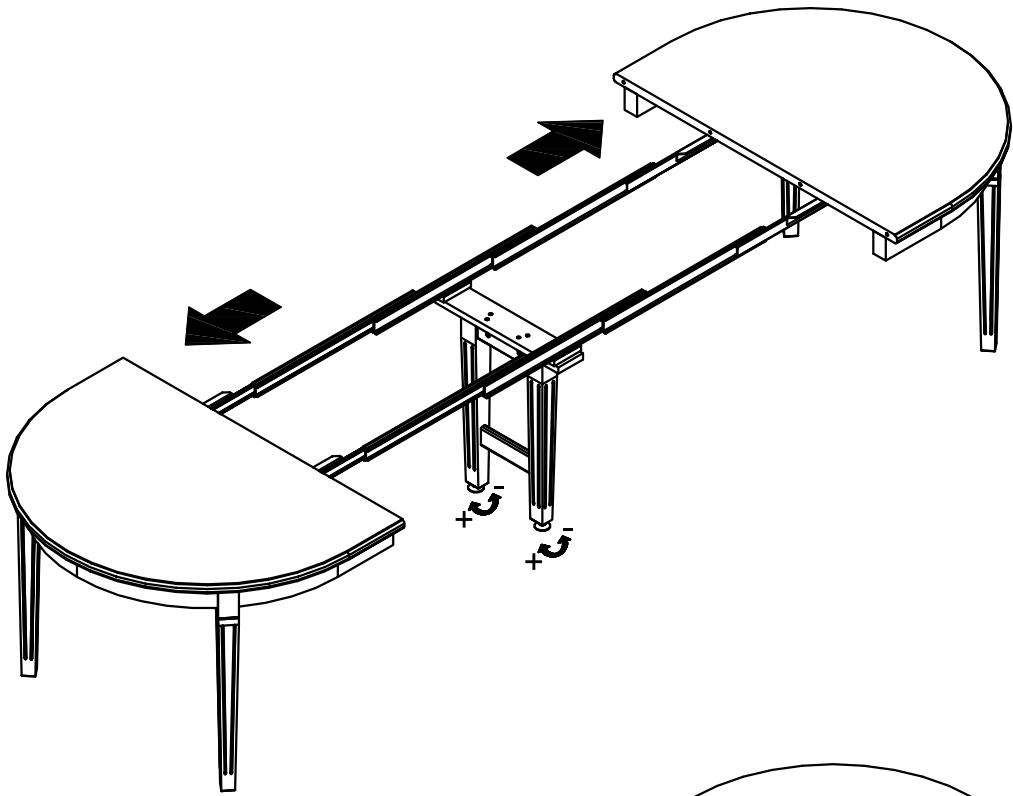


2





4



# 584 XL

